



LAND HO!

Sir Douglas Mawson led the first Australian expedition of Antarctica from 1911-14.

RSV *Nuyina* can operate in temperatures as low as -30°C .

RSV *Nuyina* can spend more than 90 days at sea.



IMPRESSIVE: The Australian Antarctic Division's new ship, RSV *Nuyina*, will remain in its home port of Hobart until December, before embarking on ice trials.

Picture: Richard Jupe/ AAD

Our new Antarctic icebreaker ship comes in

THE RSV *Nuyina* has arrived.

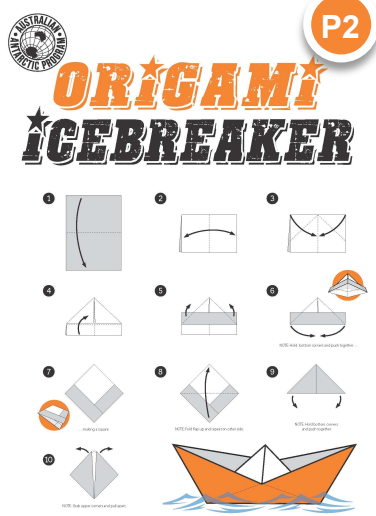
Perhaps some of you witnessed Australia's new Antarctic research and supply vessel sailing on the River Derwent for the first time last week, or have visited the Hobart docks to take a closer look since it tied up at Macquarie Wharf 3.

The 160.3-metre long, 50-metre tall, bright orange icebreaker is hard to miss.

It is just as impressive as we imagined it might be.

Its arrival was an exciting day for scientists, because the ship has been designed to provide for the needs of Australian Antarctic Division (AAD) and Antarctic and Southern Ocean research for the next 30 years.

Prime Minister Scott Morrison said the ship symbolised Australia's long history in Antarctica and the Government's commitment to Antarctic and Southern Ocean research and



environmental protection.

"From Sir Douglas Mawson's heroic era of exploration to today we have led the way in care, protection and understanding of Antarctica," Mr Morrison said.

Australian Antarctic Division Director Kim Ellis said he was excited and relieved to see the ship arrive home following a 24,000-kilometre, 47-day voyage

from the Netherlands. The ship was constructed by Dutch company Damen.

Much of this work was completed at shipyards in Romania since 2017, before a final fit-out and testing of the ship took place in the Netherlands.

"After 10 years of planning, design and construction, to see *Nuyina* enter its home port is truly a historic moment," Mr Ellis said.

"It will now embark on a period of further commissioning and ice trials, before it officially launches into 30 years of service to the Australian Antarctic Program."

The RSV *Nuyina* has a top speed of 16 knots in open water, and can maintain a speed of three knots while breaking through ice 1.65m thick.

The \$500 million ship is capable of carrying 117 expeditioners, 1200 tonnes of cargo and \$1.9 million litres of fuel.

It can handle waves over 14m, and hurricane-strength winds.

The ship's other features include:

- A moon pool to deploy autonomous vehicles and oceanographic equipment.
- A retractable boom for instruments to measure snow and ice thickness.
- A multi-beam echosounder to map the seafloor.
- A wet well to process seawater containing krill.
- Cranes, support craft and helicopters.

'nuyina' - pronounced noy-yeenah - is the *palawa kani* word for the atmospheric phenomenon formed over Antarctica that lights up Tasmanian skies.

You might know this phenomenon as the southern lights or the aurora australis. The new icebreaker replaces predecessor the *Aurora Australis*

after 31-years of service.

The first Australian Antarctic ship, Sir Douglas Mawson's SY *Aurora* was named after the same phenomenon.

We dedicated an edition of *The Wonder Weekly* to the RSV *Nuyina* on September 14, last year: utas.edu.au/underwood-centre/publications-and-resources/the-wonder-weekly

But the best place to find some amazing resources about the ship is the AAD website, including a section dedicated to activities: antarctica.gov.au/nuyina/stories/kids-activities/activity-sheets/

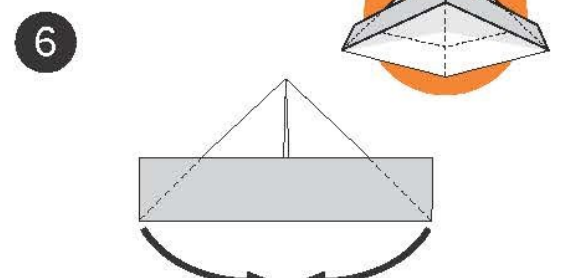
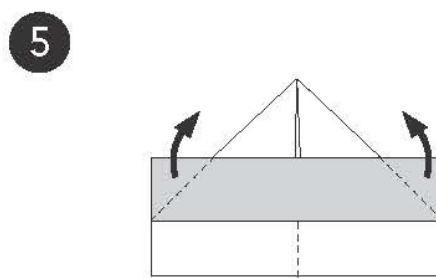
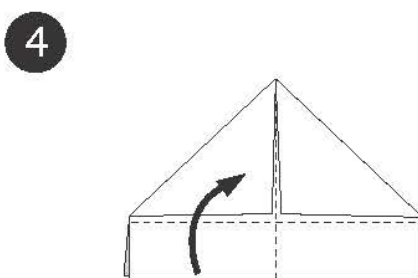
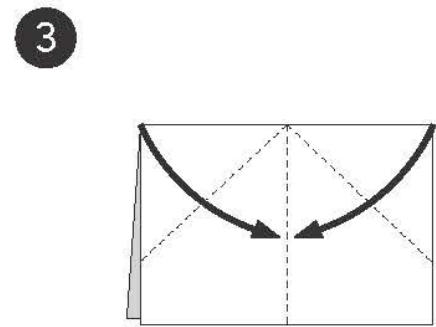
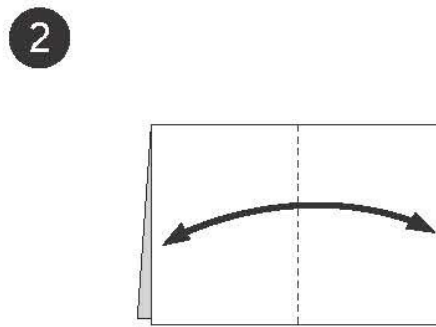
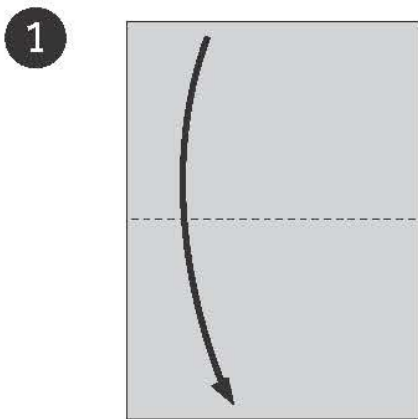
We have included two of these activities - 'Origami Icebreaker' and 'Colouring in RSV *Nuyina*' on pages 2-3 of today's edition.

Children's University Tasmania members can earn stamps in their passports for these activities at the discretion of their school coordinators.

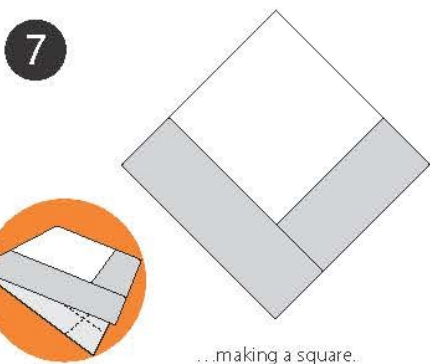


ORIGAMI

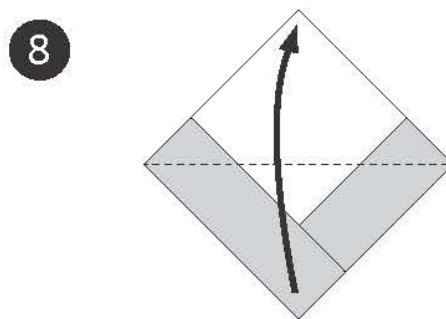
ICEBREAKER



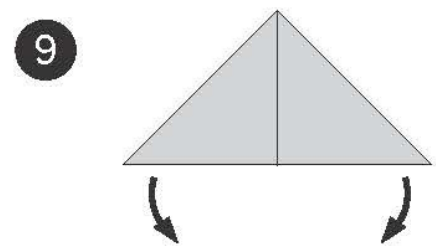
NOTE: Hold bottom corners and push together...



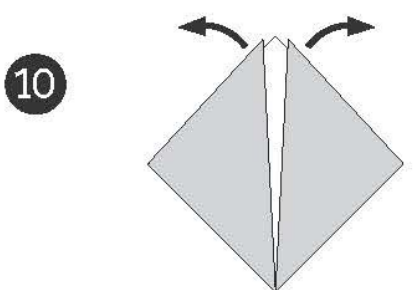
...making a square.



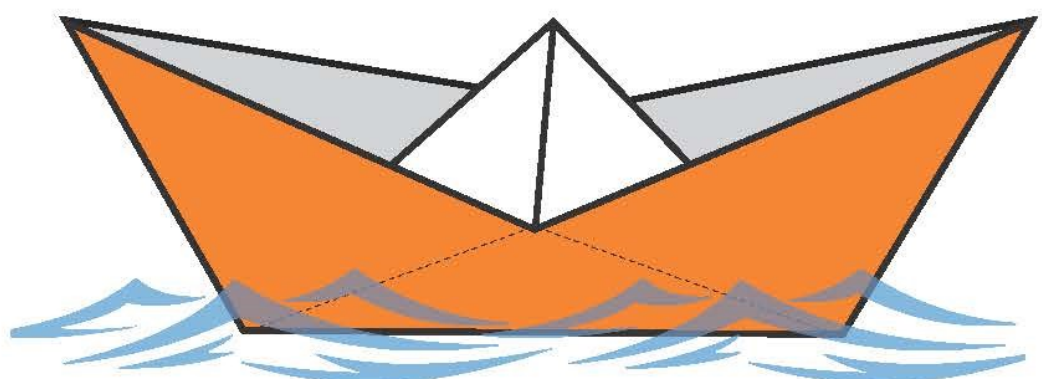
NOTE: Fold flap up and repeat on other side.



NOTE: Hold bottom corners and push together



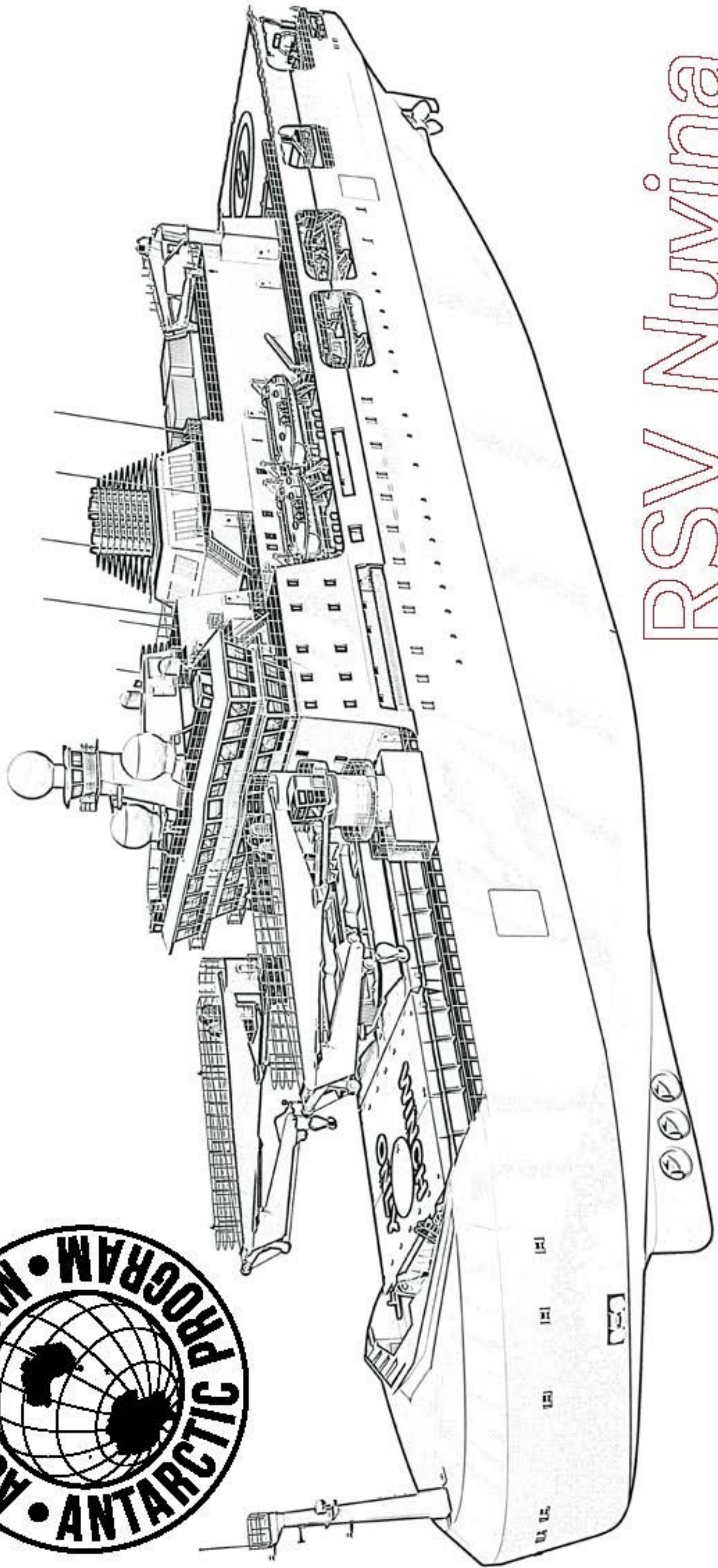
NOTE: Grab upper corners and pull apart.



COLOUR ME IN

Length overall: 160.3 metres
 Maximum beam: 25.6 metres
 Maximum draught: 9.3 metres
 Displacement: 25,500 tonnes
 Icebreaking: 1.65 metres at 3 knots
 Speed: 12 knots economical,
 16+ knots maximum

Range: > 16,000 nautical miles
 Endurance: 90 days
 Cargo fuel capacity: 1,900,000 litres
 / 1623 tonnes
 Container capacity: 96 TEU
 Cargo weight: 1200 tonnes
 Passengers: 117 Crew: 32



RSV Nuyina

Follow us @AusAntarctic



antarctica.gov.au